

LEHNER **LIFTTECHNIK**

Handbook



≡ *Liftboy 1/2/3* ≡

Vertical Platform Lift
CE

Table of content

PRODUCER.....3

UTILISATION.....3

IMPORTANT / WARNINGS4

UNPACKING AND PREPARATION.....4

ASSEMBLY BEFORE STARTING UP4

DESCRIPTION OF OPERATION7

SAFETY FUNCTION.....8

DISASSAMBLY & TRANSPORT8

MAINTENANCE.....9

ERROR SEARCH10

TECHNICAL DATA.....10

Producer

Lehner Lifttechnik GmbH
A – 4724 Neulirchen am Walde, Salling 8
Tel: +43.7278.3514-15, Fax: +43.7278.3514-12
E-mail: office@lehnerlifttechnik.at
Web: www.lehner-lifttechnik.at

Utilisation

This manual provides information on the technical properties, installation methods, usage of the device and maintenance procedures for the Liftboy models type 1, 2 and 3.

The Liftboys type 1,2 and 3 are designed for permanent or temporary installation in indoor or outdoor location. The lifting platform may be used in temperatures from -10 to +40°C.

The lifting platform can be used by persons with impaired mobility who have to overcome height differences of up to 97cm.

The lifting intervals can be adjusted between heights of 100-970mm, depending on model and on site conditions.

It is possible to drive in and drive out of the platform on every side. In order to protect the user of the platform from falling of the platform the platform is equipped with a safety rail on both sides.

It is necessary to instruct the users and the assistants carefully.

Important / Warnings

- Please read the whole manual, before the platform is operated
- The installation of the platform is only allowed by *Lehner Lifttechnik* or a qualified staff recommended by *Lehner Lifttechnik*.
- The maximum load capacity of each model must not be exceeded.
- The platform is made for the transport of persons, it is only allowed to use the platform as how it is described in the manual.
- A simple and serviceable "Emergency Procedure" must be agreed between the user and a helper. This is to ensure that the user does not get trapped on the platform in the event of electrical or mechanical failure.

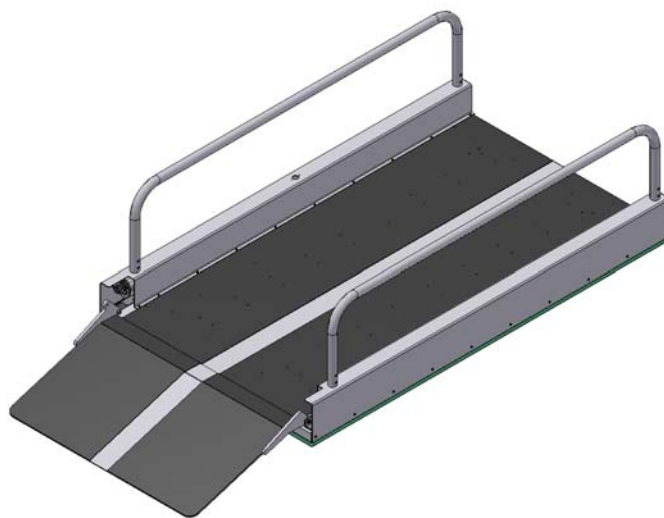
Unpacking and preparation

Visual controll:

If the packing is damaged at the receipt of the platform, the parts of the platform have to be examined exactly, if there are apparent damages or defects. If there is suspect of damages, the platform must not be used! The platform has to be examined by the company *Lehner Lifttechnik* or qualified staff authorized by *Lehner Lifttechnik*.

Standard content:

1. Platform and safety curtain
2. Access ramp (manual or automatic folding)
3. Rail / safety curb
4. Electric power supply (transformer or charger)
5. Handheld controller

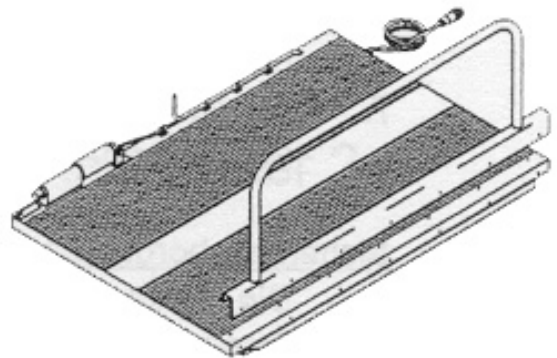


Assembly before starting up

Fixing on safety edge on side opposite actuator

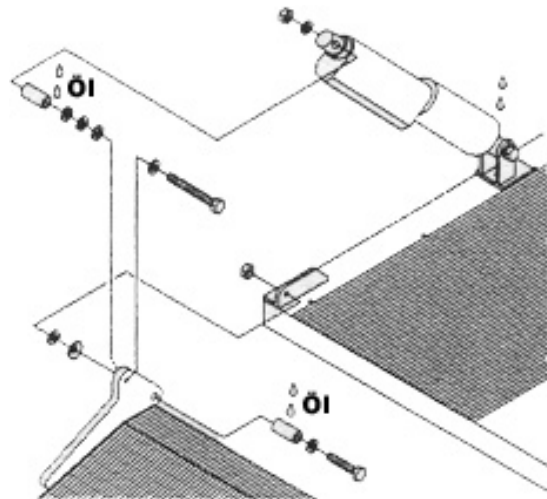
The assembly screws are pre-assembled on the platform. They will be screwed off.

The safety rail will be mounted on the platform surface. The screws need to be tightened.



Fixing of the access ramp on the platform

1. Screws, disks, bush, screw nuts which are on the swivel joint of the side access ramp will be removed.
2. A washer and a lubricated bushing will be mounted on the left hinge.
3. The disk washer will be mounted on the bush. It must not join firmly.
4. The second disk washer will be mounted on the screw.
5. The nut will be mounted and screwed down, but not too tight.
6. A disk washer and a lubricated bushing will be mounted on the screw, which are mounted on the right swivel joint.
7. The disk will be mounted on the bush, She must not be clamped.
8. The second disk will be mounted on the screw, which will be mounted on the angle profile
9. The nuts will be mounted and screwed down tight.



Assembly of the access ramp of the actuator

1. The bushing will be lubricated and placed on the actuator.
2. The disk washer will be mounted on the screw, which will be mounted from the middle of the platform through the eye of the access ramp.
3. The 3 disk washers will be placed on the screw. The access ramp will be lifted up in a position, in which the screw can be put through the bushing of the actuator.
4. A disk washer will be mounted on the screw.
5. The nut will be screwed on and tightened.
6. Lubricate the the fittings with oil or another lubricant.

Fixing of the rail on actuator side

1. The assembly screws are pre-assembled on the upper board. They will be screwed off.
2. The safety rail will be mounted on the upper board. The screws will be tightened.

End caps

1. Have to be mounted on the ends of the small safety rails.

Handheld controller

1. The handheld will be put on the rail.
2. The connector will be mounted in the connector bushing in the safety rail.
3. The connector is waterproof.

Transformer

1. The connector of the transformer will be connected to the connector at the platform.
2. The power plug has to be connected to the supply network system. Put on the current.

Description of Operation

The handheld controller or the fixed control button on a column can be mounted at the platform by the user of the platform. Operation buttons and the symbols are easy to understand.

IMPORTANT: The user must be positioned in the center of the platform, in the middle between entry and exit position. Only 1 person shall be using the platform at a given time. It is not allowed to be used by more persons at the same time.

Up - function, from the bottom level

1. When the platform is on the bottom level and the access ramp is down, the wheelchair user can drive on the platform.
2. When you press the button „Up“, the access ramp drives upwards and takes over the function of the safety barrier. “Up” is not active as long as the button won't be pressed.
3. If the access ramp is in the upper position and “Up” will be continuously pressed, the platform starts to move upstairs.
4. When the platform has reached the upper level the wheelchair user can drive off the platform onto the upper landing.

Down – function, from the top level

1. The platform must be located in the upper level. The wheelchair user drives on the platform.
2. When you press the button "Down" the platform drives down. As long as the button is pressed this function is active.
3. When the platform has reached the lower level and the button is still pressed, the access ramp will be lowered and the wheelchair user can leave the platform.

Safety function

Safety curtains

The pre-assembled safety curtains ensure that nobody will be jammed, if the platform is in the highest position and drives down.

Safety contact bar for downward movement

This function is generally recommended but absolutely necessary in case the platform is located in a pit or next to a shearing edge. If a person or an object will be jammed during the downward stroke of the platform, the downward movement stops immediately if the contact bars will be activated.

In order to switch off the safety function the "UP" button has to be pressed. Now the object can be removed, which has activated the contact bar.

Overload protection

The platform motor is set to a certain overload current that will detect overload during the upward movement and switch of the lift. Then only downward movement will be possible.

Emergency exit – opening of access ramp

The access ramp is mounted with a bolt on the actuator. This bolt will be screwed off and the access ramp opens. Then the person on the platform can be helped to get out of the lift. This will require the help of various assisting persons.

Fuses

If a fuse drops out, the cause has to be examined by qualified staff. The exchange of the fuse is only allowed by qualified staff, before the platform is operating again.

User / emergency assistant – emergency backup

One or more responsible person/s have to be educated in operating the platform right. The responsible person has to be available in every emergency situation and thus must be reachable by calling or over the phone.

The name of the responsible person must be known to the user.

We recommend a battery backup for the user, which depend on the platform, in case there can be power losses.

Disassembly & Transport

It is possible to deconstruct the platform for the transport and the storage; platform, rails and access ramp.

The company *Lehner Lifttechnik* recommends to transport the platform in the original packing.

Maintenance

The platform has to be undergone an attendance at least once a year due to the national law. Maintenance has to be done through dealers authorized by Lehner Liftechnik.

The platform has a durability of about 10 years with regular, daily use. After this period the lifting platform has to be assessed by specialized staff in order to evaluate the further application.

Cleaning

The lifting platform can be cleaned with a sponge or a brush and soap water. The lifting platform can be hosed down with a normal water pressure, but not with a pressure washer. Acid, base or solvent may not be used for cleaning.

Visual and acoustic control of the product and product functions

- Control, if abrasion can be diagnosed.
- Control if the product has deformations or other forms of damages.
- Control if it makes unusual noise

Examination of the product during the normal utilization

- All functions of the products with our without full load
- Control all proper functions.
- Control voltage index on proper function.

Control of the electrical situation of the product.

- Control cable bushing.
- Control ramp function
- Control connection and plug.
- Control controler units.
- Control safety curtain and contact bar function

Control of the mechanic condition of the product

- Remove dirt and other uncleanliness.
- Maintenance and assessment of the vital parts of the product.
- Lubricate the product.

Control again that everything is working properly.

- If no problems were discovered; you can finish the maintenance procedure.

Error search

1. Is the connector from the electric power supply put into the electrical socket?
2. Does the socket have electricity?
3. Electric power supply there? Maybe the fuse is damaged?
4. Is the connector connection between the electric power supply and the platform made correctly?
5. The platform can't drive upwards but not downwards?
 - Check if the contact bar is pressed.
6. The platform can't drive upwards and is on lower stop?
 - Check if the ramp is folding fully upwards.
7. The platform can't drive upwards or downward?
 - Check if the ramp is folded fully upwards.

Technical data

Platform Typ 1

| | |
|-----------------------------------|--|
| maximum height of stroke..... | 600 mm |
| load capacity | 180 kg |
| lifting speed | 10 mm/s |
| minimum height (headroom) | 110 mm |
| weight..... | 52,5 kg |
| electric power supply | 24 V through transformer on 230 V grid |
| Inside dimension (length) | 1170 mm |
| Inside dimension (breadth) | 710 mm |
| outside dimension (length) | 1180 mm |
| outside dimension (breadth) | 810 mm |

Platform Typ 2 and 3

| | |
|-----------------------------------|--|
| maximum height of stroke..... | 830 / 970 mm |
| load capacity | 300 / 240 kg |
| lifting speed..... | 10 mm/s |
| minimum height (headroom) | 120 / 135 mm |
| weight | 100 kg |
| electric power supply | 24 V through transformer on 230 V grid |
| inside dimension (length) | 1495 mm |
| inside dimension (breadth) | 785 mm |
| outside dimension (length) | 1505 mm |
| outside dimension (breadth) | 890 mm |