

# **LEHNER** **LIFTTECHNIK**

## **User Manual**



**≡** *Liftboy 5* **≡**  
*Vertical*  
*plattformlift*

## Summary

1. Introduction .....	3
2. Technical specification .....	4
3. Attention - safety first! .....	5
4. Overview of platform functions and control positions:.....	6
1. Platform in lower stop position with closed access ramp .....	6
2. External call stations .....	7
3. Platform in lower stop position with open access ramp.....	8
4. Side view of the platform in the upper landing position with closed upper gate .....	9
5. Platform in upper stop position with opened upper gate.....	10
6. Detailed view of platform control panel .....	11
7. Display .....	12
8. Emergency lowering switch .....	13
9. Detailed view of door lock and emergency door opening .....	14
5. Variants on the Liftboy 5 configuration: .....	15
6. Maintenance.....	16

## 1. Introduction

The Liftboy 5 is a vertical platform lift designed for the transportation of wheelchair drivers. The driving mechanism is a double scissor. The lift is powered through 2 x 12V batteries which are continuously charged (as long as the main power switch is switched ON).

The standard version of the Liftboy 5 is delivered with a manual gate for the upper level including a shear wall and with an automatic access ramp on the platform. Optional it can be delivered with a manual gate for the lower stop.

The standard platform size is 900x1400mm. An optional platform size is 1100x1400mm.



## 2. Technical specification

Loading capacity	315 kg
Lifting speed	0,04m/s
Net weight	270 kg
Drive mechanism	Double scissor
Motors	2 x 24V actuators
Power supply	2 x 12V batteries
Power supply for battery charger	1 x 230V
Folded down height	120mm
Lifting travel	1180mm
Total unfolded lifting height	1300mm
Color standard	RAL 7035
Remote controls in landings	Radio frequency controlled

### 3. Attention - safety first!



For the platform lift Liftboy 5 one responsible person has to be instructed of the proper and safe handling of the equipment. This person has to be within reach during operation of the lift.

The responsible person has to do regular visual checks on the functionality of the unit.



#### Appropriate use:

- The Liftboy 5 is designed to transport handicapped people in wheelchairs as well as people standing on the platform.
- It is not designed for transport of goods
- If not in use, lock the platform with the key and store key in a safe place
- Do not overload the platform – maximal loading capacity is 300kg



#### Emergency stop

In case of danger, use the emergency stop to stop the movement of the platform. The stop button can be unlocked through pushing and turning of the button in clockwise direction.



#### Attention

Do not use the platform in case of fire!!



#### Attention

Do not make structural or electrical changes to the unit without consulting and approval of the manufacturer.



#### Use of the platform

The platform can only be used when in it is good technical condition. In case of unusual noise or visual damage please contact the servicing company.



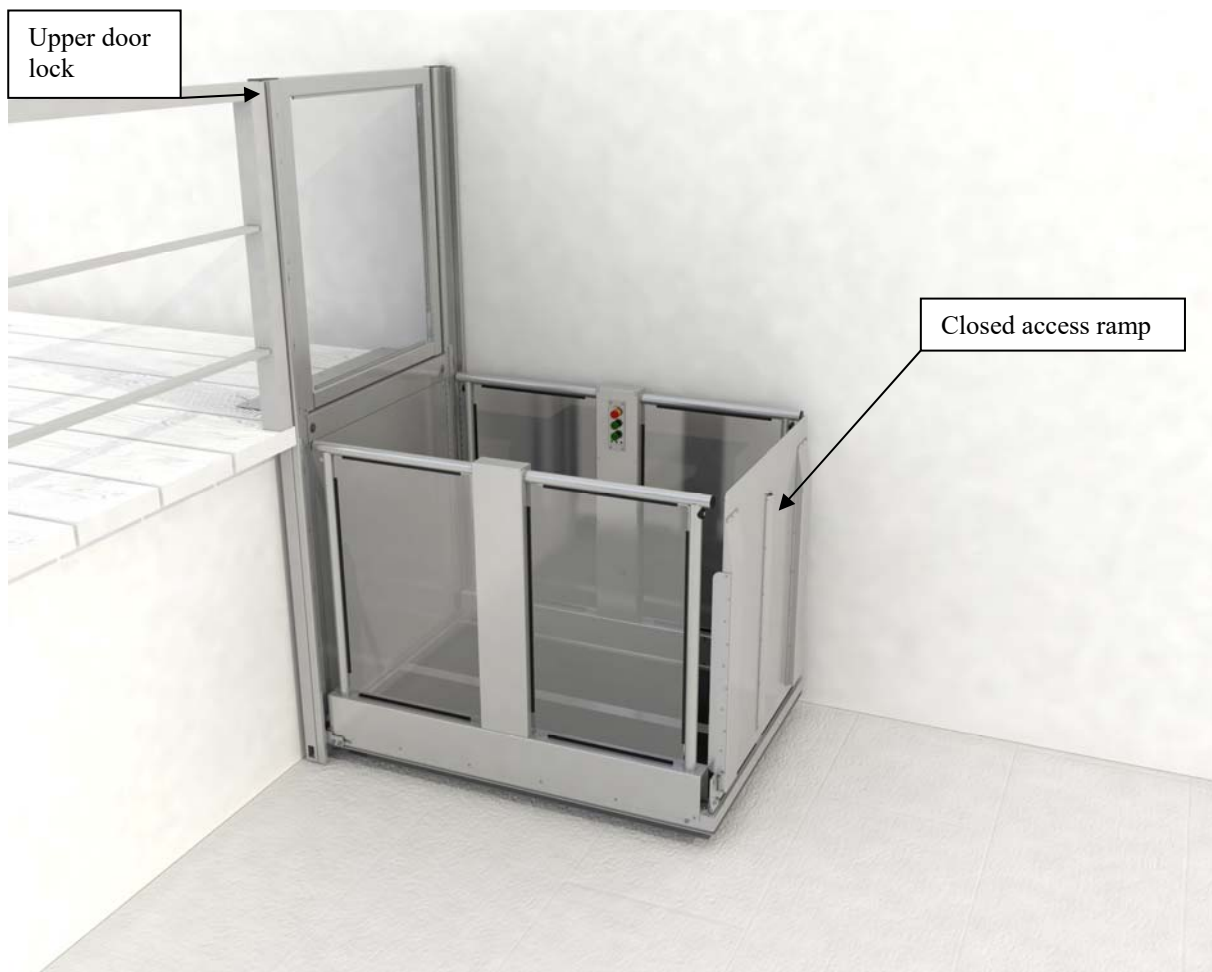
#### Setting the unit out of operation

If the unit is set out of operation for service, cleaning or repairing, unintended movement has to be prevented. The main power switch has to be turned off and locked during works on the unit.

#### 4. Overview of platform functions and control positions:

In the following various views of the Liftboy 5 are presented in order to provide an overview of the main control functions and platform position.

##### 1. Platform in lower stop position with closed access ramp



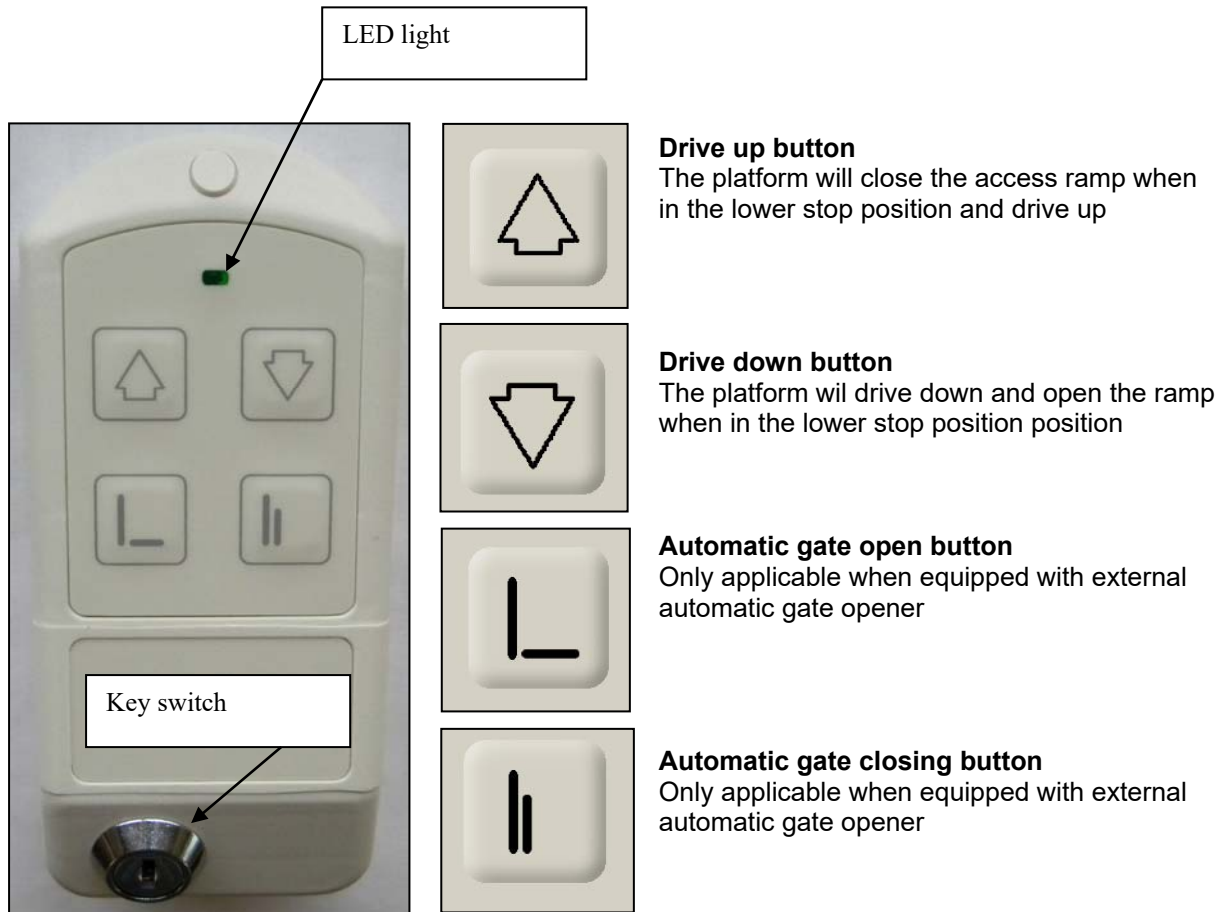
Before using the platform please make sure to turn ON the main power switch on the platform.

In order to open the access ramp please press the down button on the external call stations located close to the lower landing. Please make sure the wheelchair clears the way of the access ramp when folding down!

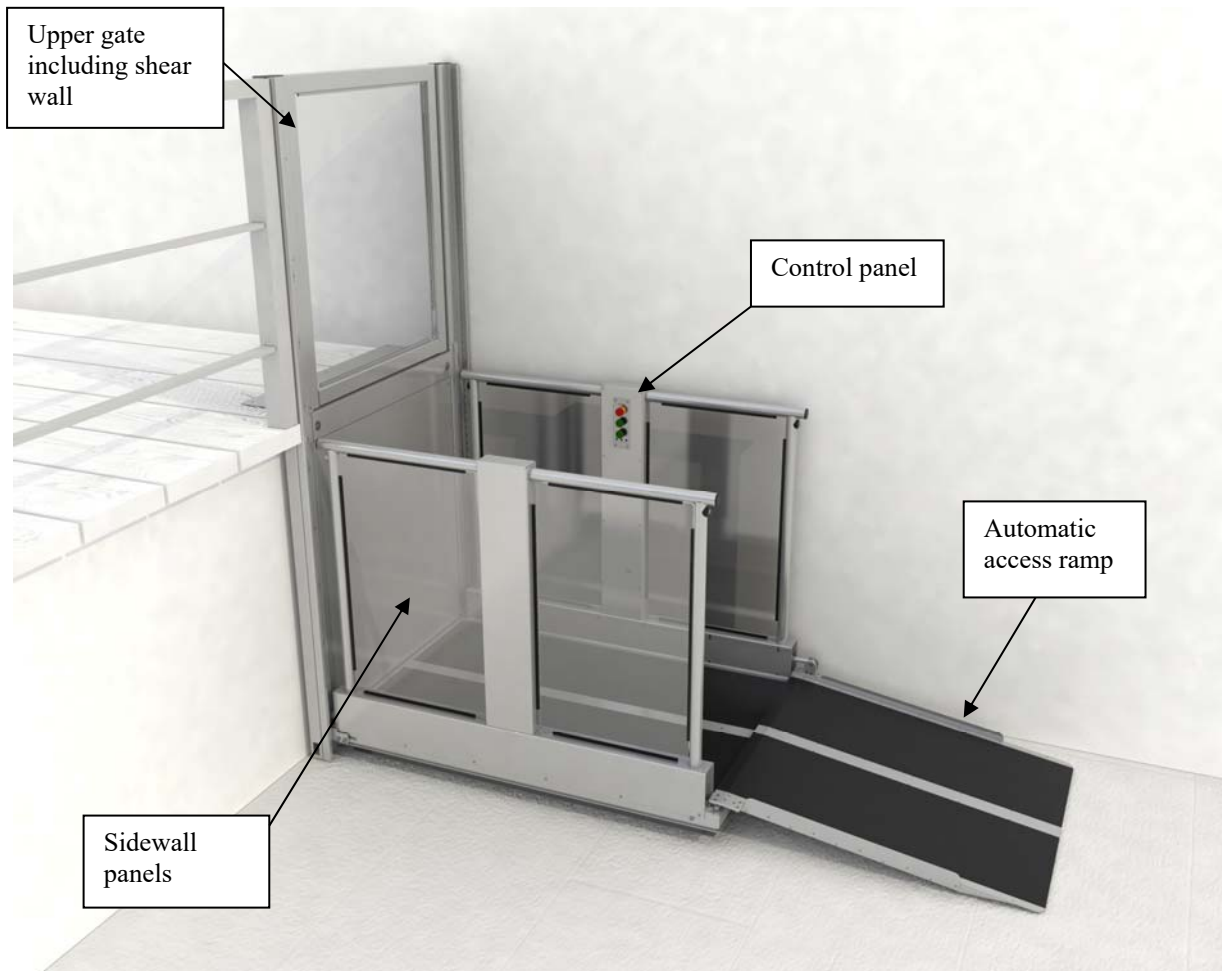
In order to open the upper gate please press the up button on the external call stations located close to the upper landing.

## 2. External call stations

The radio controlled external call stations are used to open/close the access ramp as well as to drive the platform up and down between the landing stations.



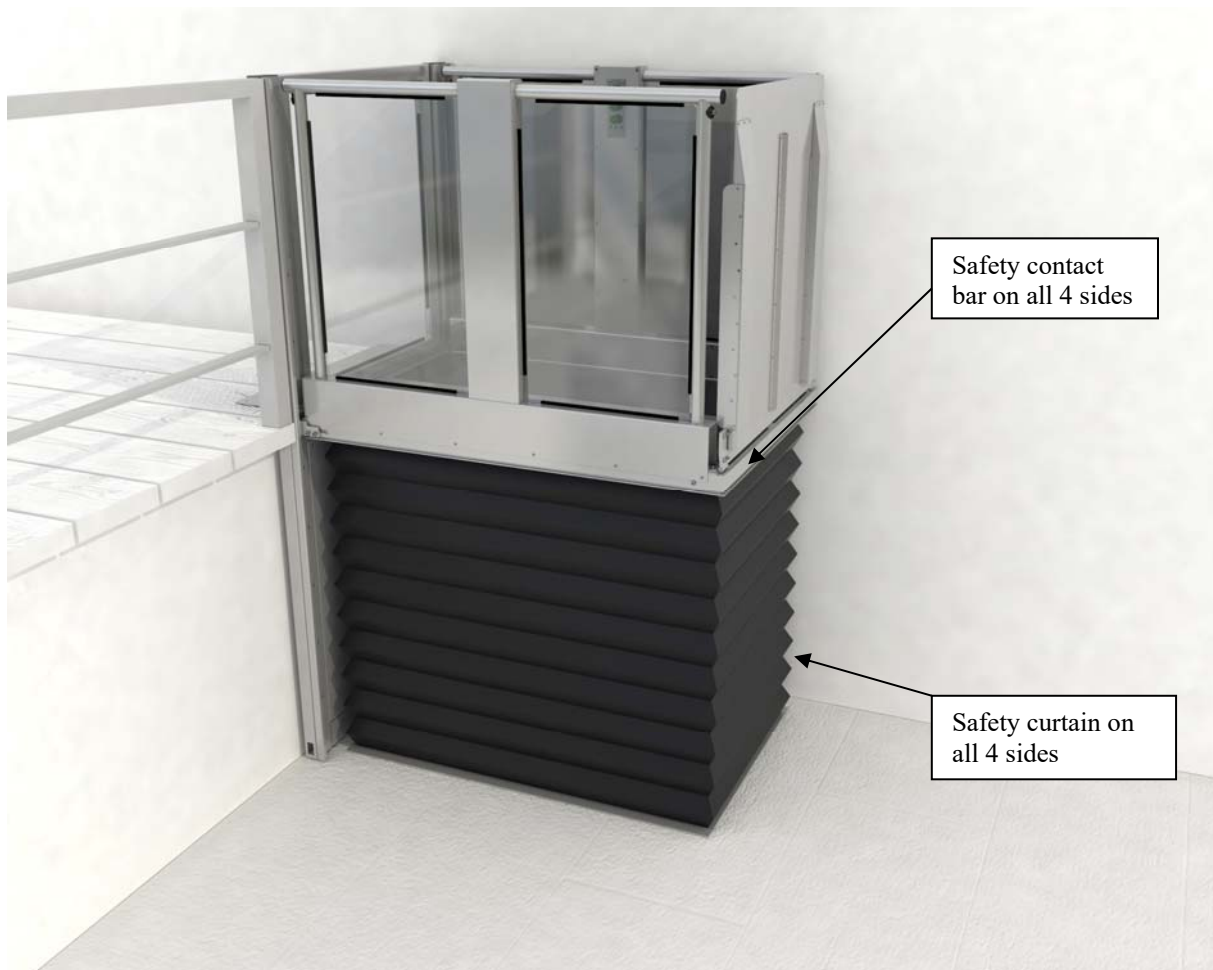
### 3. Platform in lower stop position with open access ramp



Once the access ramp is unfolded the user can enter the platform via the access ramp. The platform then needs to be controlled via the control panel located on the side of the platform.



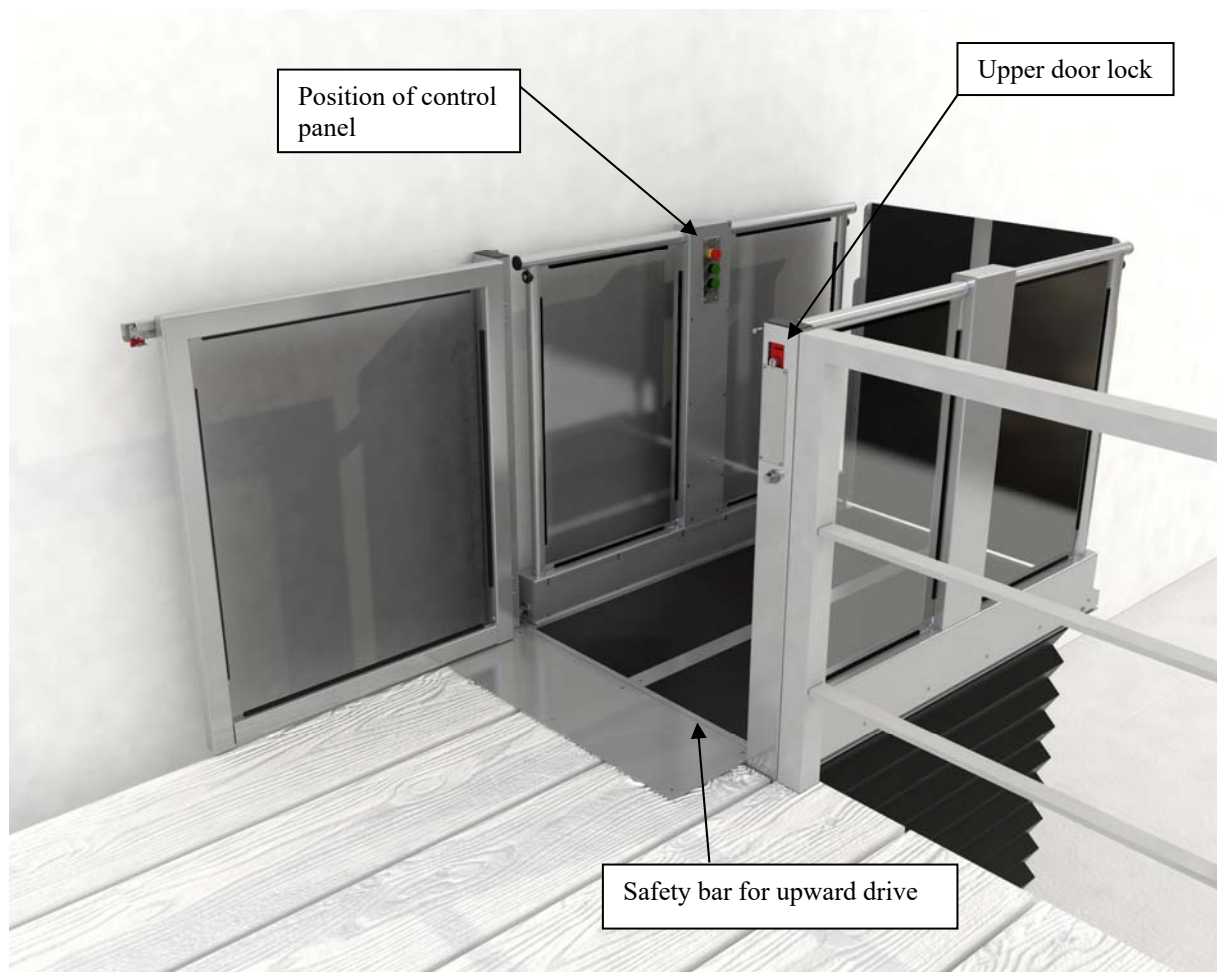
**4. Side view of the platform in the upper landing position with closed upper gate**



The platform is equipped with a safety curtain, protecting the lifting mechanism on all 4 sides. Furthermore there is a safety contact bar on the side of the upper platform floor that stops the platform in case of an obstacle being squeezed under the platform when the platform is lowering.

In case the safety contact bar gets pressed please drive the platform up again and remove the obstacle from under the platform.

### 5. Platform in upper stop position with opened upper gate

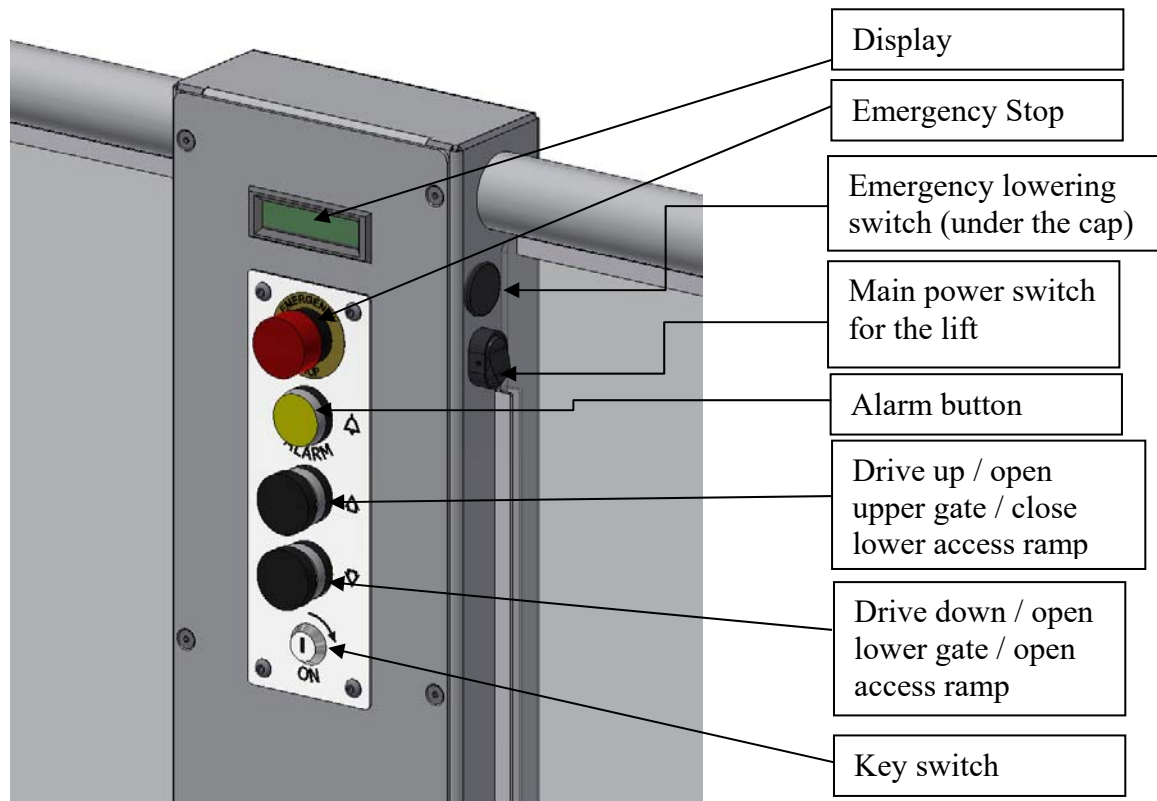


When arriving in the upper landing station the upper door lock will automatically unlock. This allows the user to open the gate manually. Once the gate is closed again it will automatically lock again.

In order to unlock the gate when entering from the upper landing area please press the „UP“ button on the external control button. This will again unlock the door lock so the gate can be opened.

The safety contact bar for upward drive stops the platform in case an obstacle is squeezed in between the platform and the shearwall while the platform is driving up. In this case the platform stops and it is only possible to drive downwards in order to remove the obstacle from the safety contact bar.

## 6. Detailed view of platform control panel



The control panel on the platform is used for controlling the platform and the display shows the status of the lift, overload, low battery status and possible failures.

In case the display is not illuminated, please check if the main power switch next to the display is turned on!

In case of an overload indication please make sure that the actual loading capacity of 300kg is not surpassed. Please completely unload the platform and reload with less load before trying again to set the platform into motion.

In case of a low battery indication please make sure the platform is connected correctly to the charger and that the charger is connected correctly to the main power supply on site.

## 7. Display

The display shows the status of the lift.

In the normal mode, it shows the position of the lift and/or the possible movement option.

In lower stop:



Between upper and lower stop:



The display shows, among other, the following possible errors:

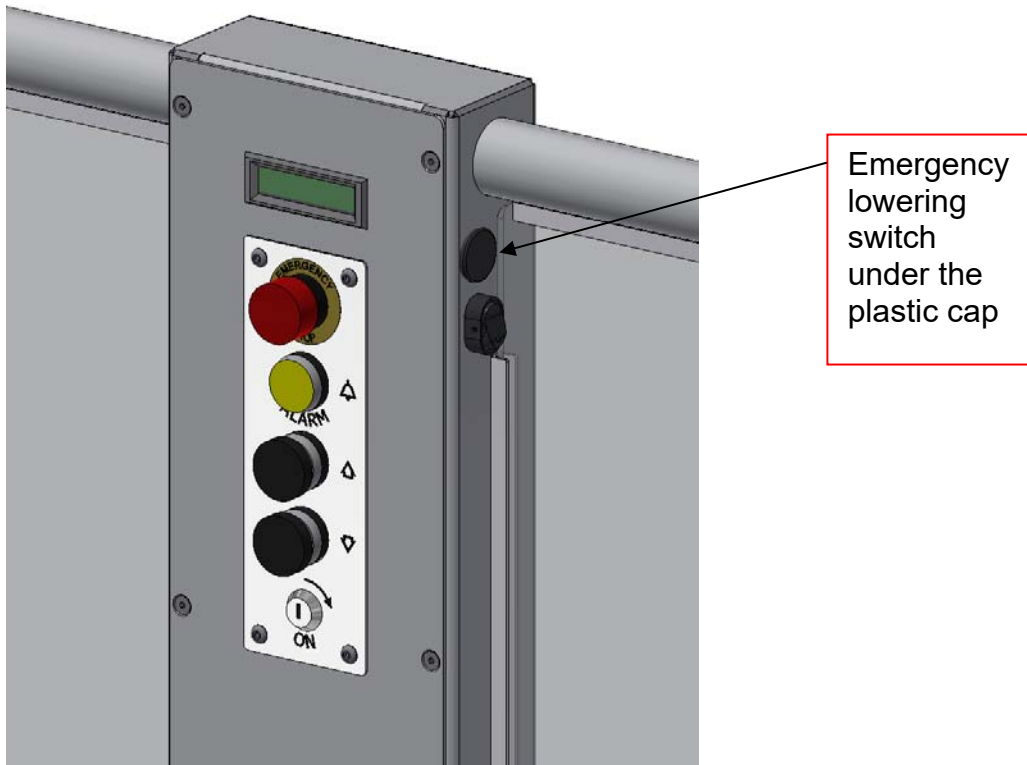
- Overload -> check the loading on the platform
- Emergency stop -> Check if the red button is pressed below the display
- Low battery -> check if the unit is connected to the charger and the on site power supply
- Stop down -> check the safety contact bar under the platform
- Stop up -> check the safety contact bar on top of the platform (between platform and shearwall)

For all other errors please contact the installation or servicing company.

### 8. Emergency lowering switch

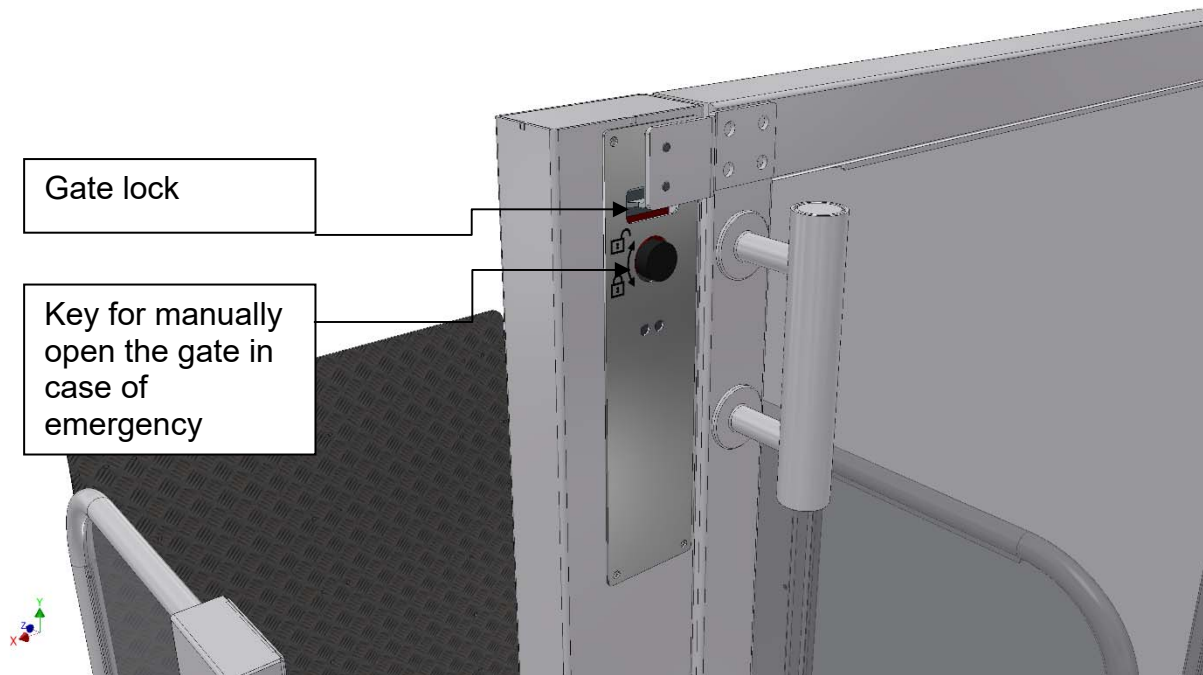
The emergency lowering button can be used to drive the platform down in case of platform malfunction.

Please use this button only in case the normal platform control function on the platform or on the external control stations do not work correctly.



**This switch will bring the platform down to the lower station. However it will not open the door nor the automatic ramp > See the following pages.**

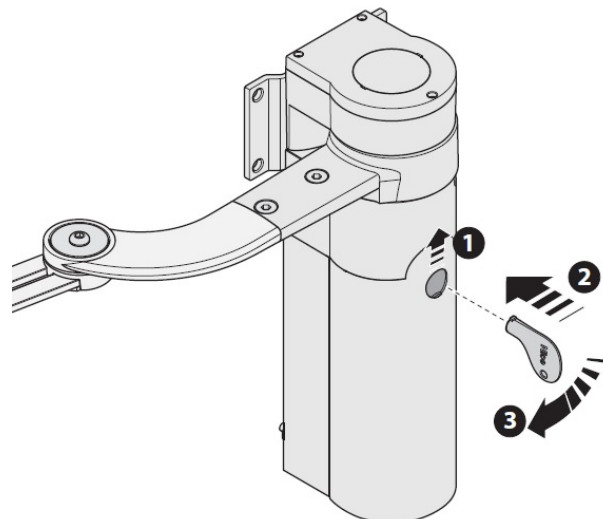
### 9. Detailed view of door lock and emergency door opening



In case the door lock does not unlock electrically, it is possible to use the key to manually open the door lock and open the gate.

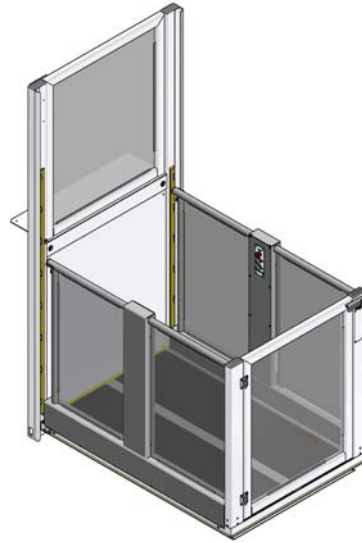
In case the gate is opened manually please make sure to lock it again when closing the gate. Otherwise the door lock remains open and the platform will not function.

The opening of the automatic door opener works in the same way. Please make sure to close the automatic gate opener again after opening the door.

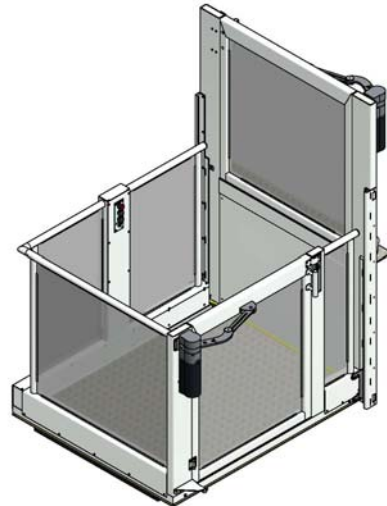


## 5. Variants on the Liftboy 5 configuration:

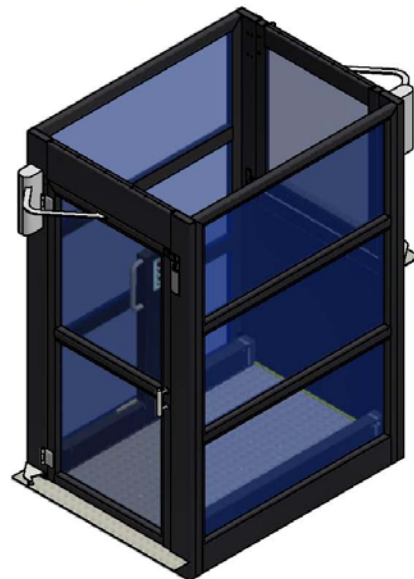
- Door on the platform and on the upper level; with or without automatic gate opener



- 90° side entry on the lower side and standard exit on the top side; with or without automatic gate opener



- Full steel shaft enclosure with door on lower level entry and gate on upper level; standard 180° entry/exit or 90° side entry is possible; with or without automatic gate/door openers



## 6. Maintenance

The required maintenance intervals are as follows:

- 1 maintenance check 6 month after installation
- 1 maintenance each following year

The maintenance has to be done by a qualified company.

### **Platform**

Checking of all regular control functions, buttons, lights, etc.

### **Doors**

Checking of proper function of the door locks

### **Platform mechanics**

Visual check for abrasion, acoustical abnormality during drive or visual deformation of any parts.

### **Mechanical switches**

Check all limit switches for proper function.

### **Safety devices**

- Check all safety functions
- Emergency stop button
- LED indication of overload or low battery status
- Function of the emergency lowering device
- Safety contact bars for downward and upward drive
- Door lock

### **Manuals and keys**

Make sure user and installation manual are stored in a safe place accessible to the instructed personnel. Make sure the manual door keys are also stored with the manuals.



